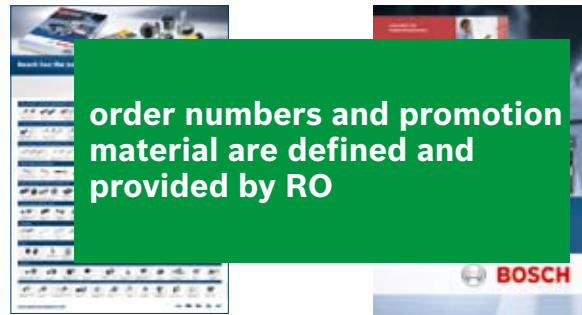


Fully informed, complete support

Bosch offers workshops and retail users a series of communication and information media – everything you need to know about relays:

- ▶ Bosch relay catalog
- ▶ Bosch accessories catalog
- ▶ Bosch workshop posters
- ▶ Bosch website and internet catalog



order numbers and promotion material are defined and provided by RO

Workshop poster

1 987 721 076 Relay catalog



1 987 721 074
Accessories catalog



www.bosch-relay.com
www.bosch-accessories.com
www.bosch-ibusiness.com

Your address for genuine Bosch quality:

64.64.XX
F 026 P02 579 / 201005



KTS 670: The mobile test system for fast diagnoses

Test economically, repair efficiently. The multimedia-capable KTS 670 test system provides practice-oriented functions for any diagnostic inspection.

Diagnostics and parts: Only from Bosch.



Bosch relays: Switch to the full range



Versatility coupled with reliability:

For any application, for any requirement



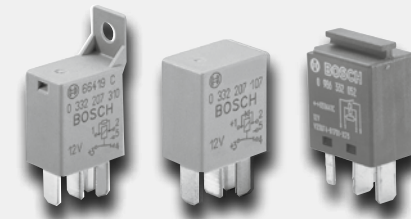
Bosch relays – not only for the automotive sector:

- | | |
|--------------------------------|------------------------------------|
| Automatic sliding doors | Emergency power and charging units |
| Electric wheelchairs | Cleaning equipment |
| Electrical systems on boats | Robot controllers |
| Electric lawnmowers | Construction machines |
| Bicycle gear | Agricultural machines |
| Material handling technologies | Furniture adjustment systems |
| Garage door drives | Vending machines |

Micro, mini and power relays:

Complete coverage in 12 and 24 volt sector

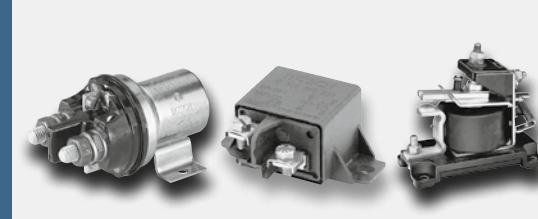
Micro relays



Mini relays



Power relays



Know-how that helps you

For many years Bosch has been a trendsetter in relay technology. Not only in the automotive sector, Bosch relays are used in many other branches. The vast experience it has in relay development spans more than 40 years of manufacturing know-how. This makes Bosch a competent partner for all matters to do with relay applications.

Bosch relays are the reliable solution for all conditions

- ▶ High-power switching
- ▶ Function across a wide temperature range
- ▶ Excellent vibration and impact resistance
- ▶ Long service life
- ▶ High resistance to climate change

Full range for reliable switching

Bosch provides a comprehensive range of 12 and 24 volt relays for any size and any application. For both mobile and stationary use with an excellent fast level of accessibility. Constant evolution of the range ensures that it always complies with the latest technology. This goes without speaking at Bosch: Bosch relay experts provide comprehensive support in designing circuits and finding the best-suited relay.

Micro and mini relays

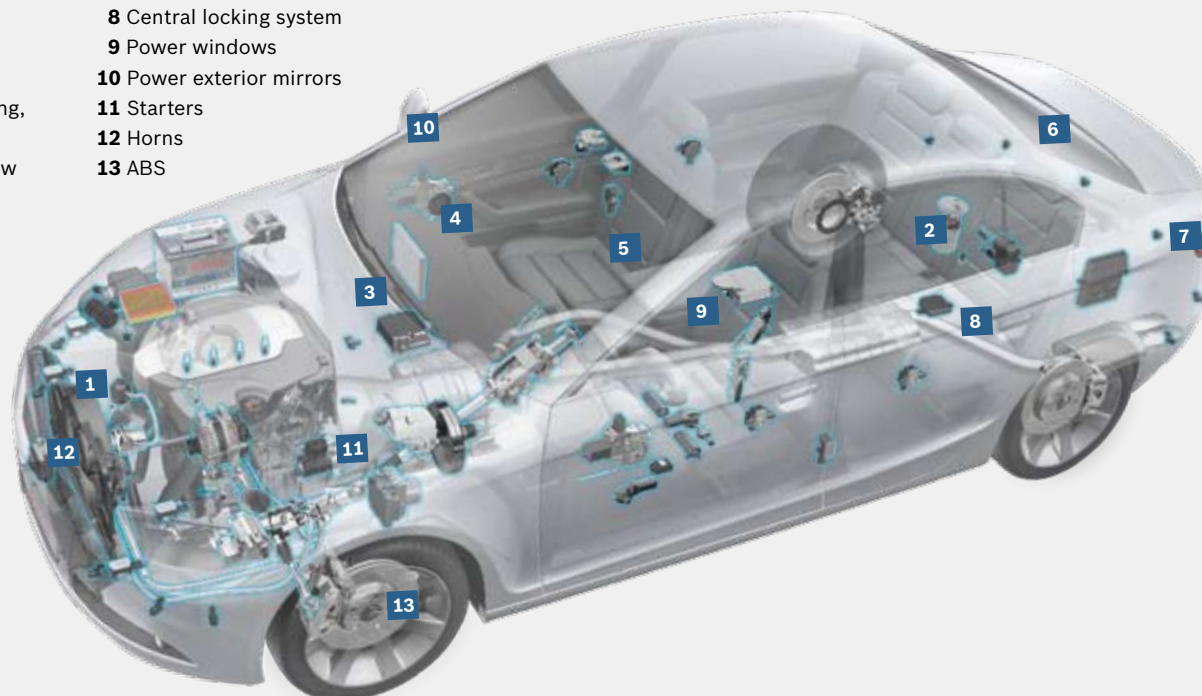
- ▶ For rated switched currents up to 70 A
- ▶ Multiple-contact connectors enable easy assembly and low error rates for pre-inspected wiring harnesses
- ▶ Bracket-free relays – easy to plug-in, lined-up socket housings for screwing into position
- ▶ Relay with fastening bracket – can be connected to 5-pin socket housing
- ▶ Ideal for use where space is at a premium
- ▶ Best requirements for reliable, fast service work

Power relays

- ▶ For rated switched currents up to 300 A
- ▶ Service range from –40 °C to +100 °C
- ▶ Creepage-current limits in base plate
- ▶ Controlled ventilation using labyrinth
- ▶ High protection against corrosion through use of glass-fibre-reinforced polyamide for base plate and housing
- ▶ High splash protection through drip edges between housing and base plate
- ▶ Compact design
- ▶ Optional heavy-duty version with tungsten advanced contact
- ▶ For switching motors, starters and other consumers

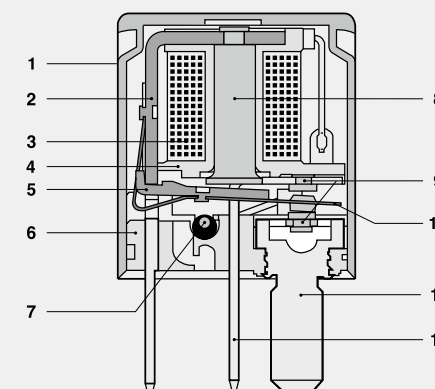
Bosch relays in the vehicle

- | | |
|--|---------------------------|
| 1 Coolant ventilator | 7 Brake light |
| 2 Petrol pump | 8 Central locking system |
| 3 Wiper motor | 9 Power windows |
| 4 Blower motor | 10 Power exterior mirrors |
| 5 Electric seat heating, Seat adjustment | 11 Starters |
| 6 Heated rear window | 12 Horns |
| | 13 ABS |



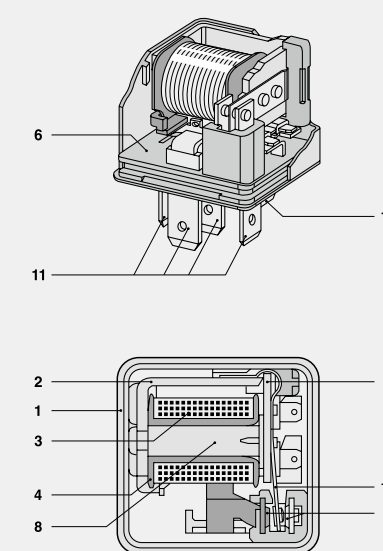
Design and technical details:

Micro relays



- 1 Housing 2 Solenoid bracket 3 Coil
4 Coil body 5 Armature 6 Base plate
7 Attenuating resistor or diode
8 Core 9 Contact 10 Spring 11 Connection

Mini relays



Power relays

